

Reach-in Freezer with 1 Glass Door

Model **FGH24B** and **FGH24T**



FGH24B
BOTTOM MOUNT



FGH24T
TOP MOUNT



Reach-in Freezer with 1 Glass Door

Model FGH24B and FGH24T

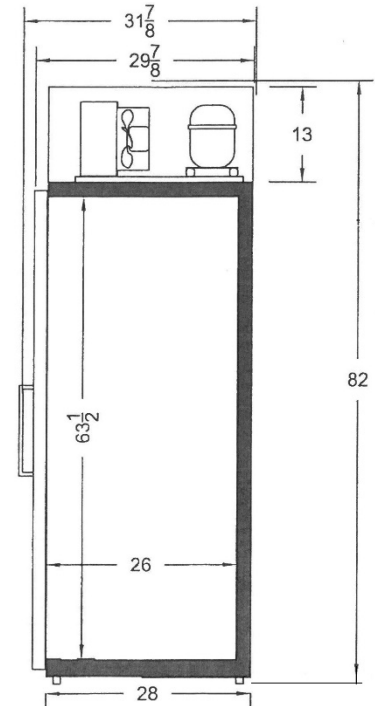
Standard Features:

- One **Tecnodor** reversible glass door with high energy efficiency.
 - Operating temperature: 0°F to -10°F.
 - Exterior Dimensions: 24" x 30" x 82" high.
 - Door with thermal insulation double glazing.
 - Full length extruded aluminum handle.
 - Magnetic door gaskets.
 - Glass ensuring maximum visibility of the product.
 - Condensing unit assembled at the bottom for better maintenance and service accessibility (FGH24B).
 - Or: Condensing unit assembled at the top for better heat release (FGH24T).
 - Refrigerant: R404A.
 - Electronic temperature control, easy to read and adjust.
 - Automatic defrost.
 - Evaporation pan (no drain required).
- Self-closing door with stay open device to allow loading.
 - ETL Listed.
 - Door and frame in black satin finish.
 - Evaporator with slim design to ensure maximum interior space.
 - Capacity of 4 adjustable wire shelves and bottom section.
 - Self-contained, hermetic, air-cooled condensing unit (compressor).
 - Interior and exterior in high quality white polyester prepainted steel.
 - Insulated tub in polyurethane foam, high density, foamed-in-place, CFC free.
 - Fluorescent interior lighting (T8).

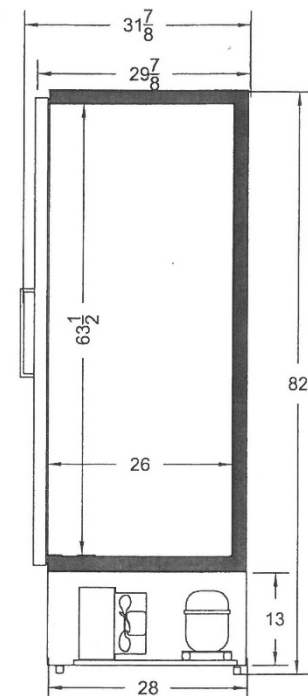
Options:

- Interior/exterior finish in type 304 stainless steel finish #4.
- Additional shelf.
- LED Interior lighting.
- Choice of finish colors (Sico pallet).
- Condensing unit (compressor) with remote installation.

Model	Voltage	Total Amps
FGH24B	Volts	
FGH24T	Volts	



TOP MOUNT



BOTTOM MOUNT

Designed for operation at an ambient temperature of 75°F and 55% relative humidity.
Specifications subject to change without notice. (Rev. 03-11-2020)